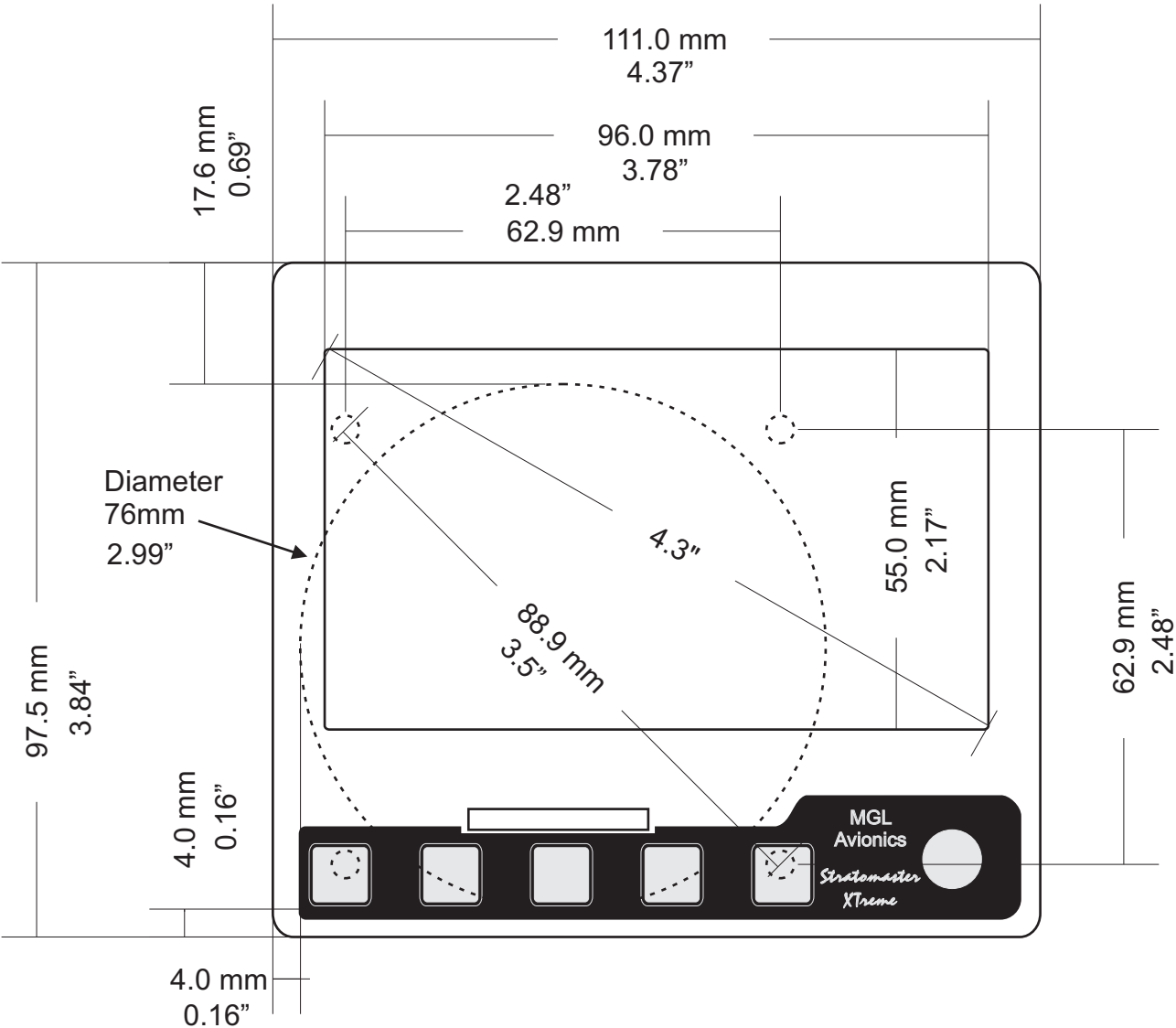


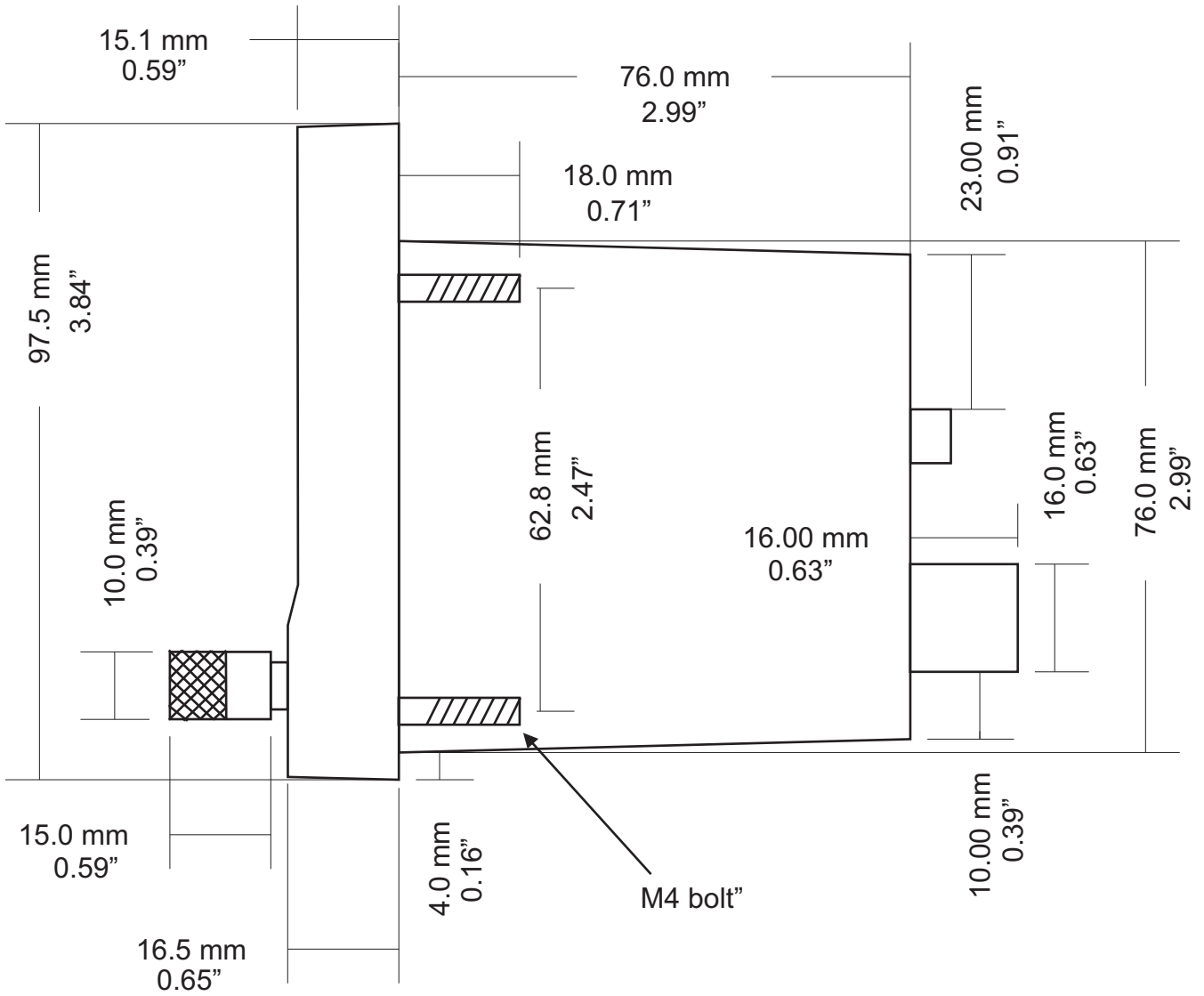
# Stratomaster XTreme

## Dimensions - English 1.01

### FRONT VIEW



**SIDE VIEW**



**TOP VIEW**

